



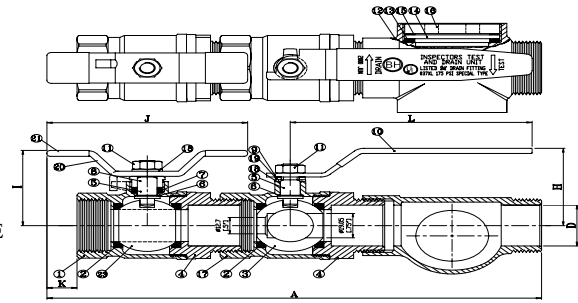
Size:

1"、1¼"、2"



BH-7 INSPECTOR'S TEST W/ON-OFF UNIT WITH BRASS SIGHT CLASS

- 1.MANUFACTURER: BAN CHANG HARDWARE CO.,LTD.
- 2.HANDLE SLEEVE TO BE RED WITH WHITE COPY.
- 3.ALL DIMENSIONS IN PARENTHESES ARE MILLIMETERS.
- 4.ORIFCE SIZES: TEST POSITIONEQUIVALENT TO AY2"ORIFICE SPRINKLER, DRAIN POSITION EQUIVALENT.TO A 1" GLOBE VALVE
- 5.THE VALVE HANDLE IS SHOWN IN THE TEST POSITION(REF)
- 6.THE BODY (ITEM1)AND BODY INSERT(ITEM4) ARE TO BE CHEMICALLY ANALYZED FOR ONE BALL VALVE SAMPLE FROM EACH PURCHASE LOT TO VERIFY THAT THE ZINC CONTENT IS THE MAXIMUM OF 40.5 PERMIT TED FOR BRASS ROD B16 C36000,THE ANALY SIS RECORDS ARE TO BE RETAINED ON FILE FOR EXAMINATION BY UL1.



SIZE	in	1	1¼	2
A	mm	261.5	275	371
D	mm	25.4	31.75	50
H	mm	60	60	90
L	mm	130	130	155
I	mm	61	64	79
J	mm	110	110	134
K	mm	22.5	13	13.5
WEGIHT	kg	1.87	2.38	5.97

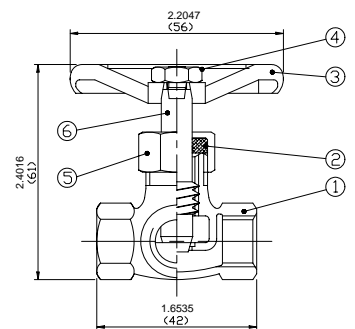
NO	NOMENCLATUR	MATERIALS	NO	NOMENCLATRU	MATERIALS
1	BODY	ASTM B584 C84400	12	BRASS SIGHT GAUGE	ASTM B584 C85700
2	BODY SEAT	TEFLON	13	PACKING	NBR
3	BALL	ASTM B16 C36000	14	CLEAR PLATE	ACRYLIC
4	BODY INSERT	ASTM B584 C84400	15	FIBER WASHER	VULCANIZED FIBER
5	STEM	ASTM B16 C36000	16	FIX COLLAR	ASTM B584 C85700
6	STEM SEAT	TEFLON	17	BALL VALVE	ASTM B854 C84400
7	BONNET SEAT	TEFLON	18	SPRING	STAINLESS STEEL
8	GLAND	ASTM B16 C36000	19	WASHER	TEFLON
9	HANDLE	CARBON STEEL	20	OVAL HANDLE	CARBON STEEL
10	HANDLE SLEEVE	VINYL	21	HANDLE SLEEVE	VINYL

BH-8 THREE-WAY BRONZE GOBLE VALVE IPS



Description

The 1/4" IPS three-way female threaded valve is used to facilitate the installation of sprinkler system pressure gauges. The valve provides for one inlet and two outlets. This design allows for replacement of the system gauge without shutting down the water supply to the sprinkler system. This design also allows Authority's Having Jurisdiction to test system pressure with an additional gauge through the second outlet. (The second outlet is normally plugged during Installation with a 1/4" IPS pipe plug.)



Finish:Rough brass
Working Pressure:400WOG

NO	NOMENCLATUR	MATERIALS	NO	NOMENCLATRU	MATERIALS
1	BODY	ASTM B584 C84400	4	SEAT SEAL	NBR
2	PACKING	RUBBER	5	LOCK NUT	ASTM B16 C36000
3	HANDWHEEL	ASTM B584 C85700	6	CLAMPING RING	ASTM B16 C36000



VEHZ.EX5161 Drain Fittings, Special Type

[Page Bottom](#)

Drain Fittings, Special Type

[See General Information for Drain Fittings, Special Type](#)

BAN CHANG HARDWARE CO LTD

EX5161

17 LANE 620 LU HO RD, SEC 3

LU KANG

CHANG-HUA, TAIWAN

Model "Inspectors Test and Drain Unit" in the 1 and 1-1/4 in. sizes special type drain fittings, simulating 1/2 in. orifice, for installation where pressures do not exceed 175 psi.

These fittings are intended for use on sprinkler systems in accordance with the standard for installations for sprinkler systems, NFPA 13 .

[Last Updated](#) on 1998-01-30

[Questions?](#)

[Print this page](#)

[Notice of Disclaimer](#)

[Page Top](#)

[Copyright © 2011 Underwriters Laboratories Inc.®](#)

The appearance of a company's name or product in this database does not in itself assure that products so identified have been manufactured under UL's Follow-Up Service. Only those products bearing the UL Mark should be considered to be Listed and covered under UL's Follow-Up Service. Always look for the Mark on the product.

UL permits the reproduction of the material contained in the Online Certification Directory subject to the following conditions: 1. The Guide Information, Designs and/or Listings (files) must be presented in their entirety and in a non-misleading manner, without any manipulation of the data (or drawings). 2. The statement "Reprinted from the Online Certifications Directory with permission from Underwriters Laboratories Inc." must appear adjacent to the extracted material. In addition, the reprinted material must include a copyright notice in the following format: "Copyright © 2011 Underwriters Laboratories Inc.®"

An independent organization working for a safer world with integrity, precision and knowledge.



Sprinkler System Alarm Testers

Each separate sprinkler system must be equipped with a separate waterflow alarm. In a high rise building, the system for each floor must be separately alarmed. Where pressure reducing valves are used, a dual alarm and drain piping arrangement is required. The alarm testers listed below combine test and drain valves, a waterflow sight glass, and a calibrated flow orifice in a single assembly to simplify the piping required for such arrangements.

Model 614

<i>Model Designation</i>	<i>Size, inch NPS</i>	<i>Nominal K-factor(s)</i>	<i>Rated working pressure, psi (kPa)</i>	<i>Remarks</i>
614	1, 1 1/4	5.6	175 (1205)	a

Remarks:

a. Devices supplied with female threaded inlet and a male threaded outlet end connection.

Company Name:	Ban Chang Hardware Co Ltd
Company Address:	No. 17 Lane 620, Sec 3 Lu Ho Rd, Lu Kang Chang Hua, Taiwan ROC
Company Website:	http://www.banchang.com.tw
Listing Country:	Taiwan
Certification Type:	FM Approved